

# VALVES

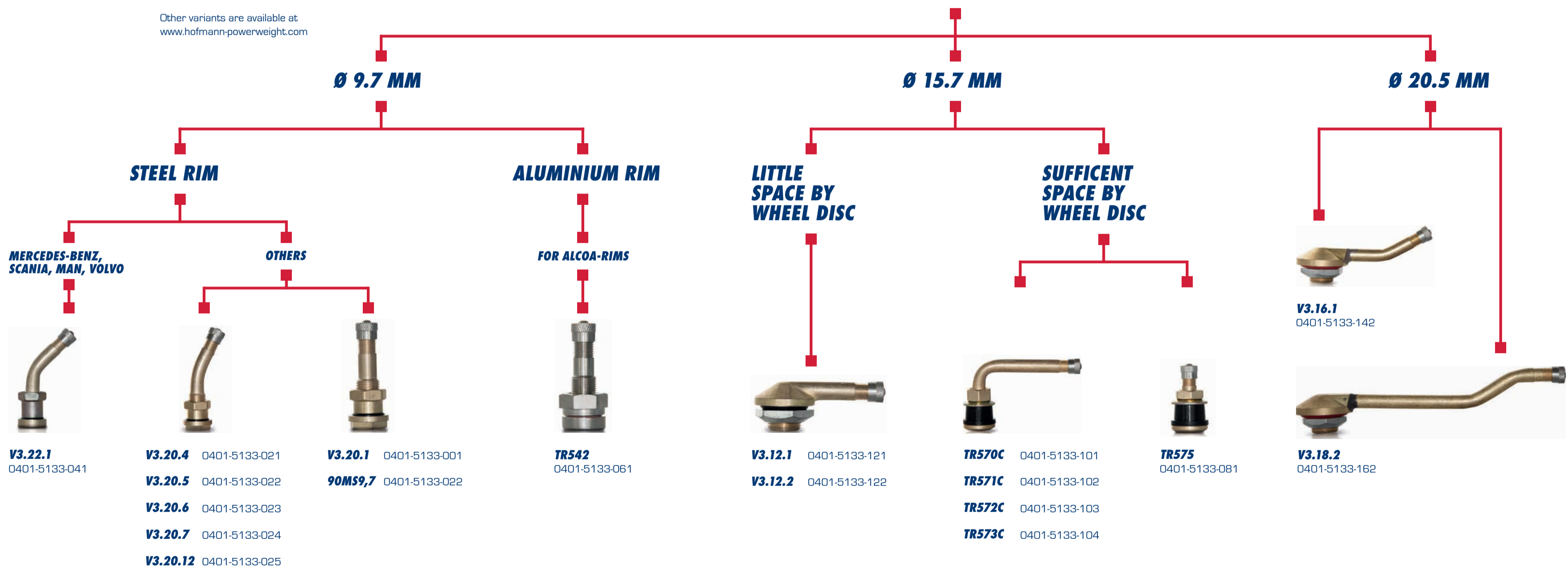
### PASSENGER CARS



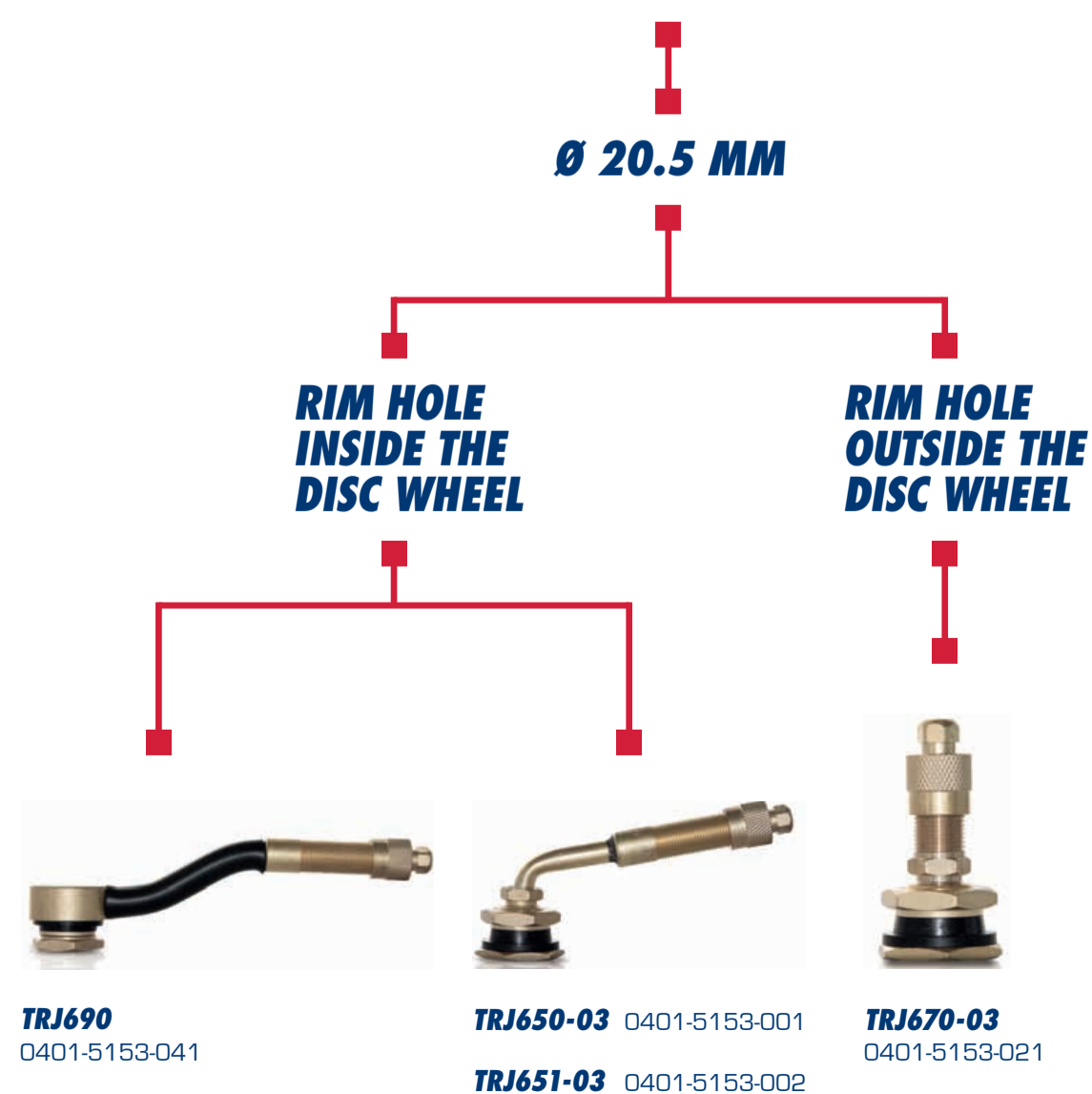
### LIGHT TRUCKS



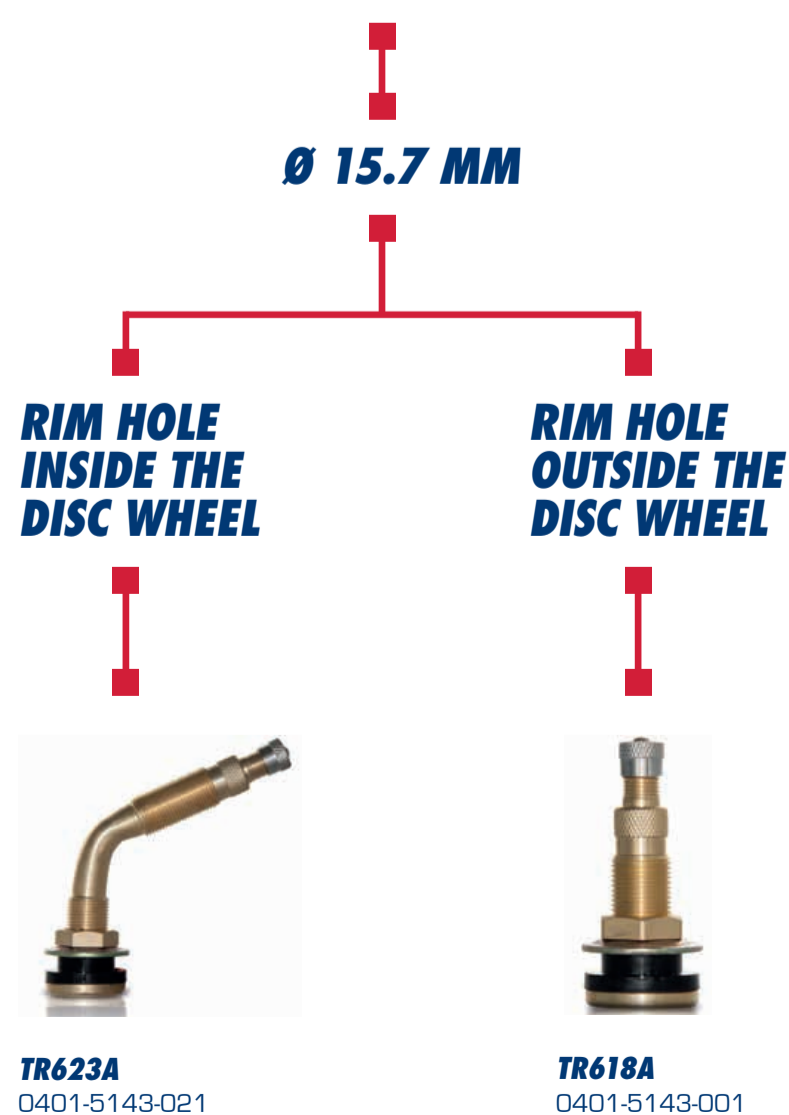
### TRUCKS



### EARTHMOVERS



### TRACTORS



### MOTORCYCLES & SCOOTER

